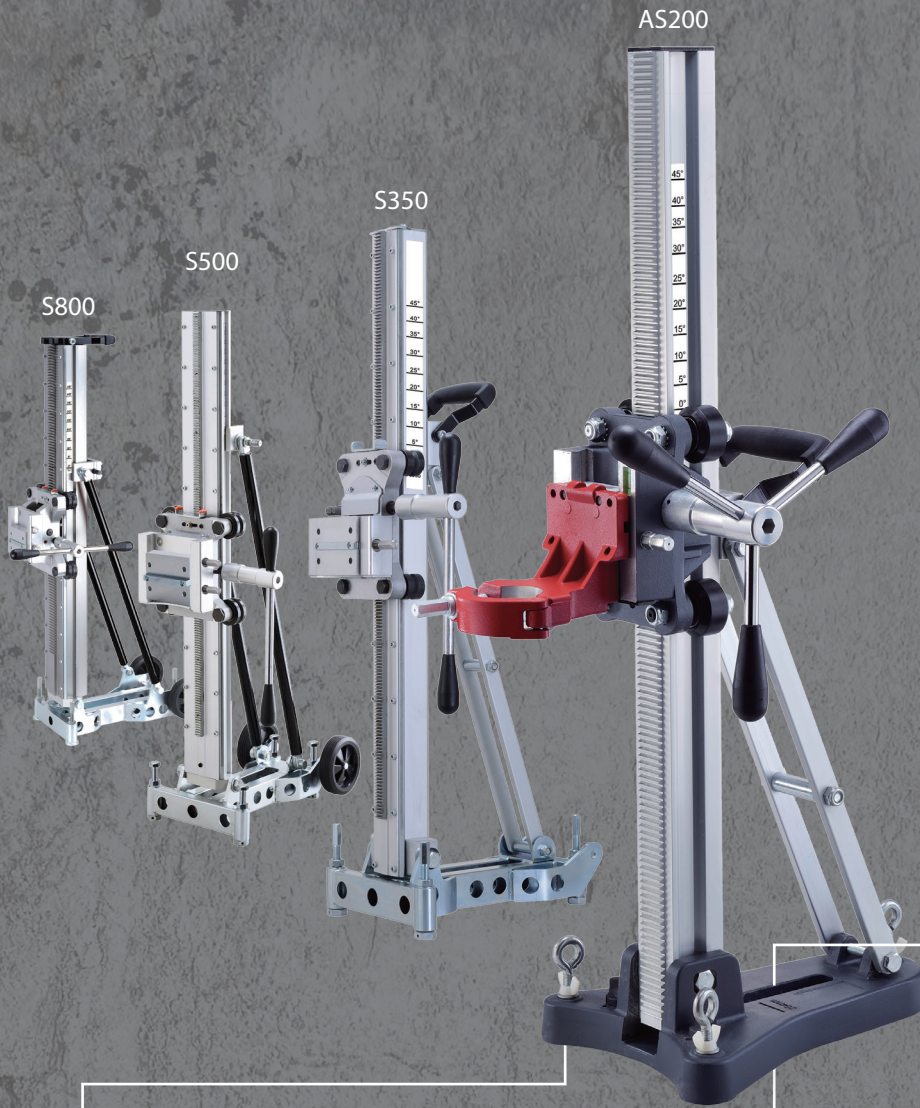




Diamond Core Drilling Accessories



Water Collector Set
(includes 3 membranes)
0299-0249-0004-001

Replacement membranes
(5 pack)
0299-0250-0004-001



Anchoring Plate
For S350, S500 & S800
302-04464-903-001



Vacuum plate:
Fits AS200, S350 & S500
0299-0143-0000-007



Related Product:
Vacuum Cleaner DS25L
305-00371-000-001



Vacuum Pump
VP140
10713-000-222-0000-010-004



VP140
Vacuum Tank
0299-0110-0000-002

Related Motors



DM6P

Wet - 1 1/4" & 1/2" Spindle

10201-006-211-6062-001-026

Wet - 1/2" Female Spindle only

10201-006-211-1017-001-026



DM62

10201-006-211-6062-003-026

DMC6P

Wet + Dry Version

10201-006-211-6062-002-026



DM5

10201-005-211-6062-003-026



DM52D

10201-005-211-6062-001-026



Model	AS200	S350	S500	S800
Capacity w/o extension spacers (mm)	Ø202	Ø352	Ø350	Ø350
Max. Capacity with extension spacers (mm)	N/A	N/A	Ø500	Ø800
Effective Stroke (mm)	500	660	690	760
Dimensions (LxWxH) (mm)	361 x 250 x 890	435 X 245 X 984	548 X 240 X 1025	555 x 275 x 1035
Net Weight (not Including crank handle)	10.5kg (23,1 Lbs)	16,6kg (36,5 Lbs)	19,1kg (42,0 Lbs)	26,5kg (58,4 Lbs)



DEALER